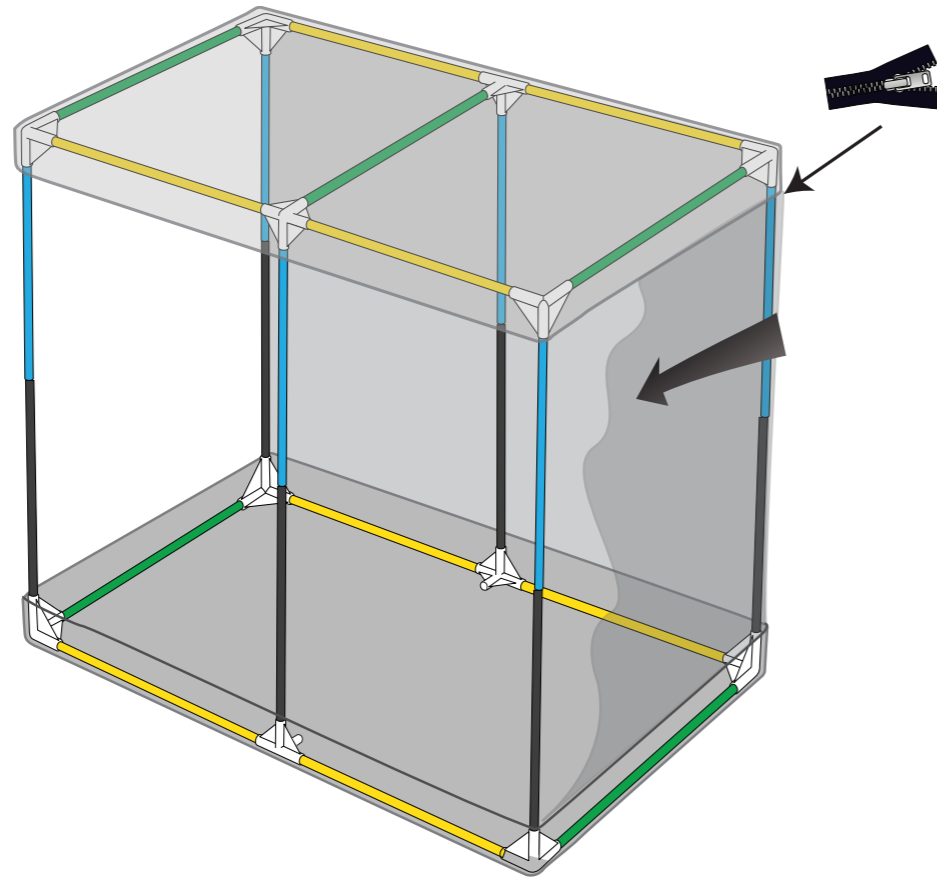


Step 5

Close tent zip starting top right as shown.



Assembly Instructions

Two Person Assembly



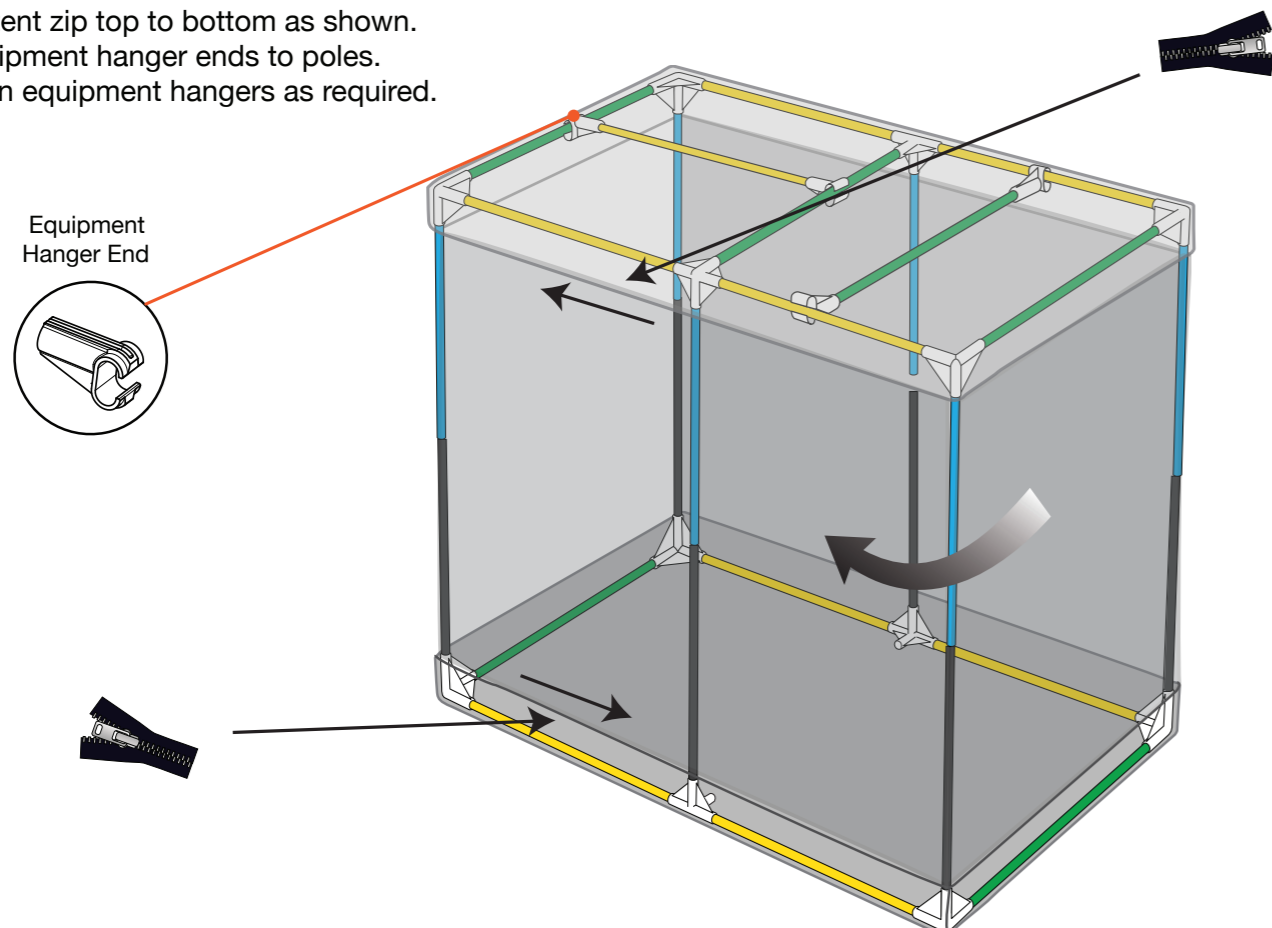
Mammoth Pro+ 240L Assembly Guide

Equipment Hangers



Step 6

Close tent zip top to bottom as shown.
Fit equipment hanger ends to poles.
Position equipment hangers as required.

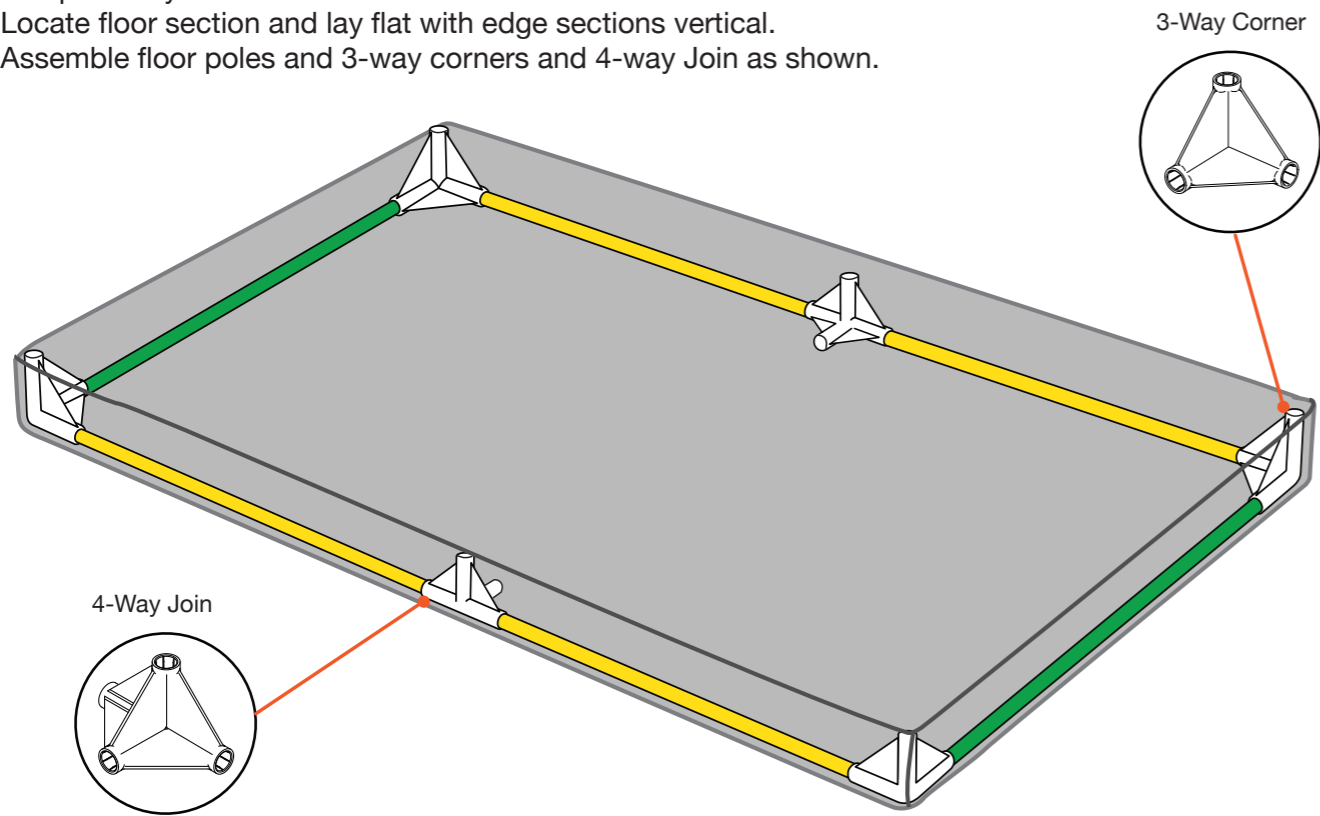


Parts List

- Yellow Pole x9
- Green Pole x6
- Blue Pole x6
- Black Pole x6
- 3-Way Corner x8
- 4-Way Join x4
- Equipment Hanger Ends x4

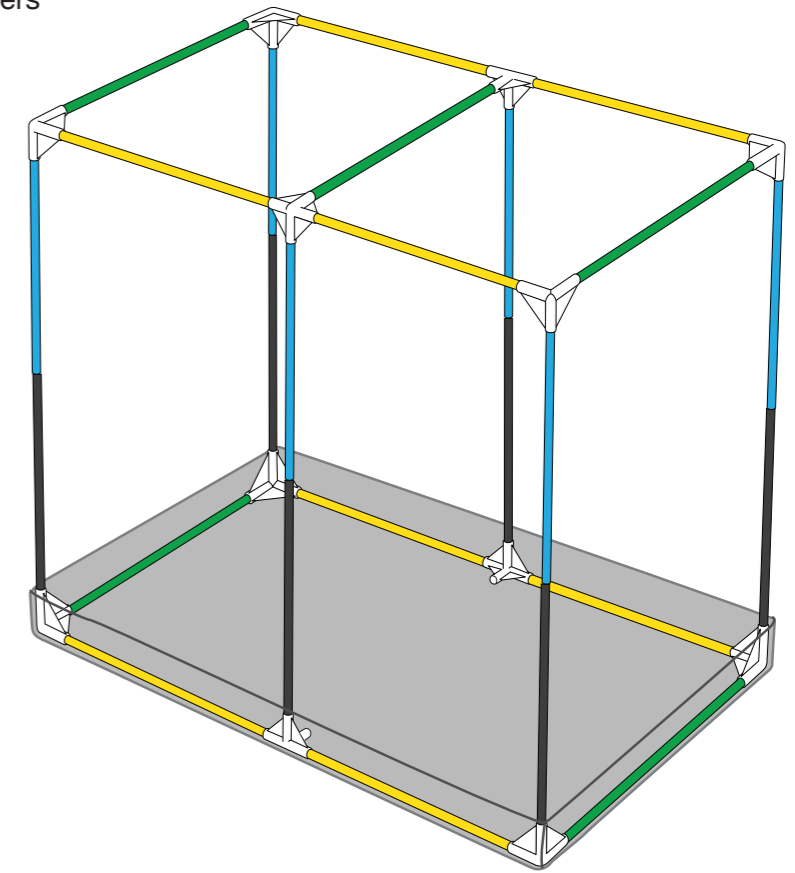
Step 1

Organise poles and connectors into their colours and groups.
Unzip and lay out tent.
Locate floor section and lay flat with edge sections vertical.
Assemble floor poles and 3-way corners and 4-way Join as shown.



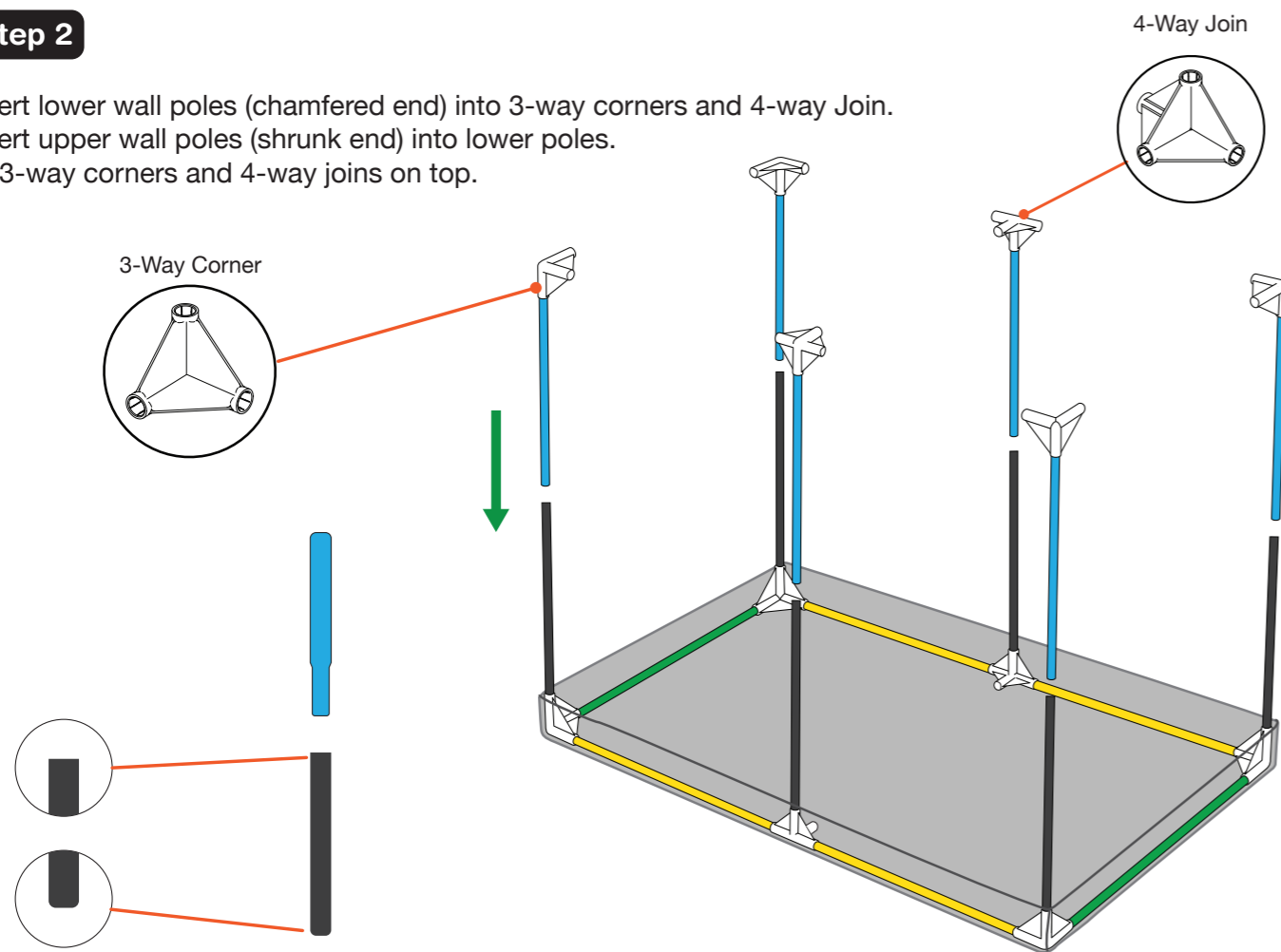
Step 3

Insert ceiling poles into top 3-way corners and 4-Way joins.



Step 2

Insert lower wall poles (chamfered end) into 3-way corners and 4-way Join.
Insert upper wall poles (shrunk end) into lower poles.
Fit 3-way corners and 4-way joins on top.



Step 4

Lift tent over roof as shown.

