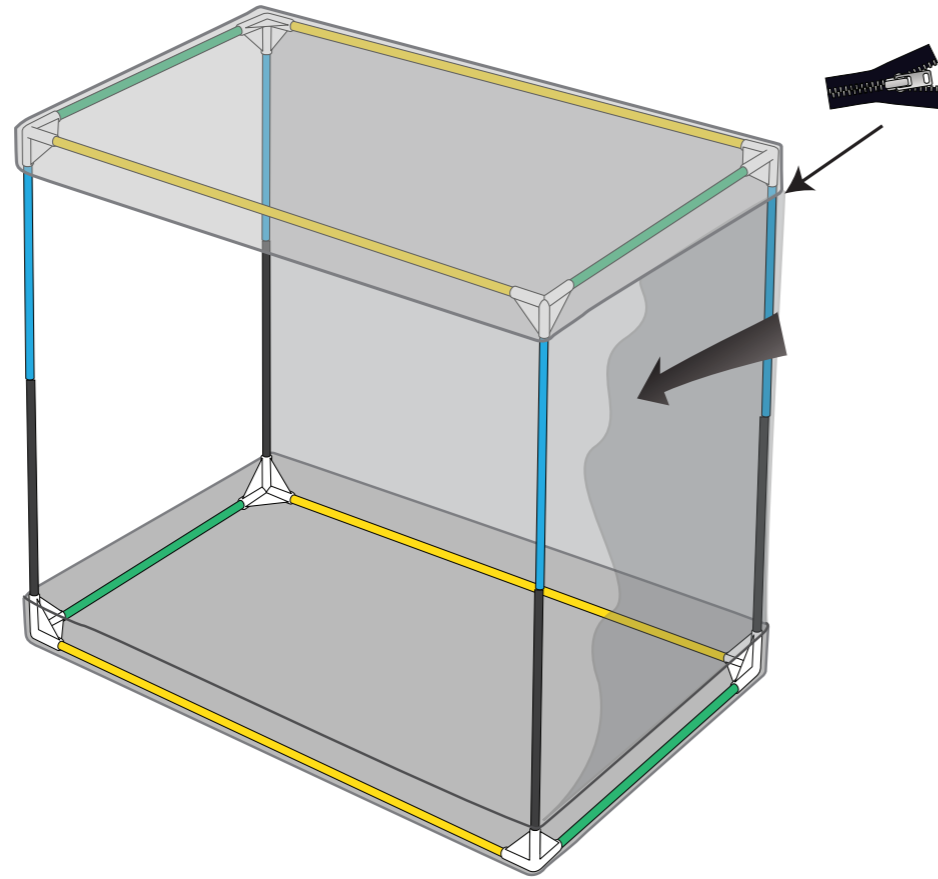


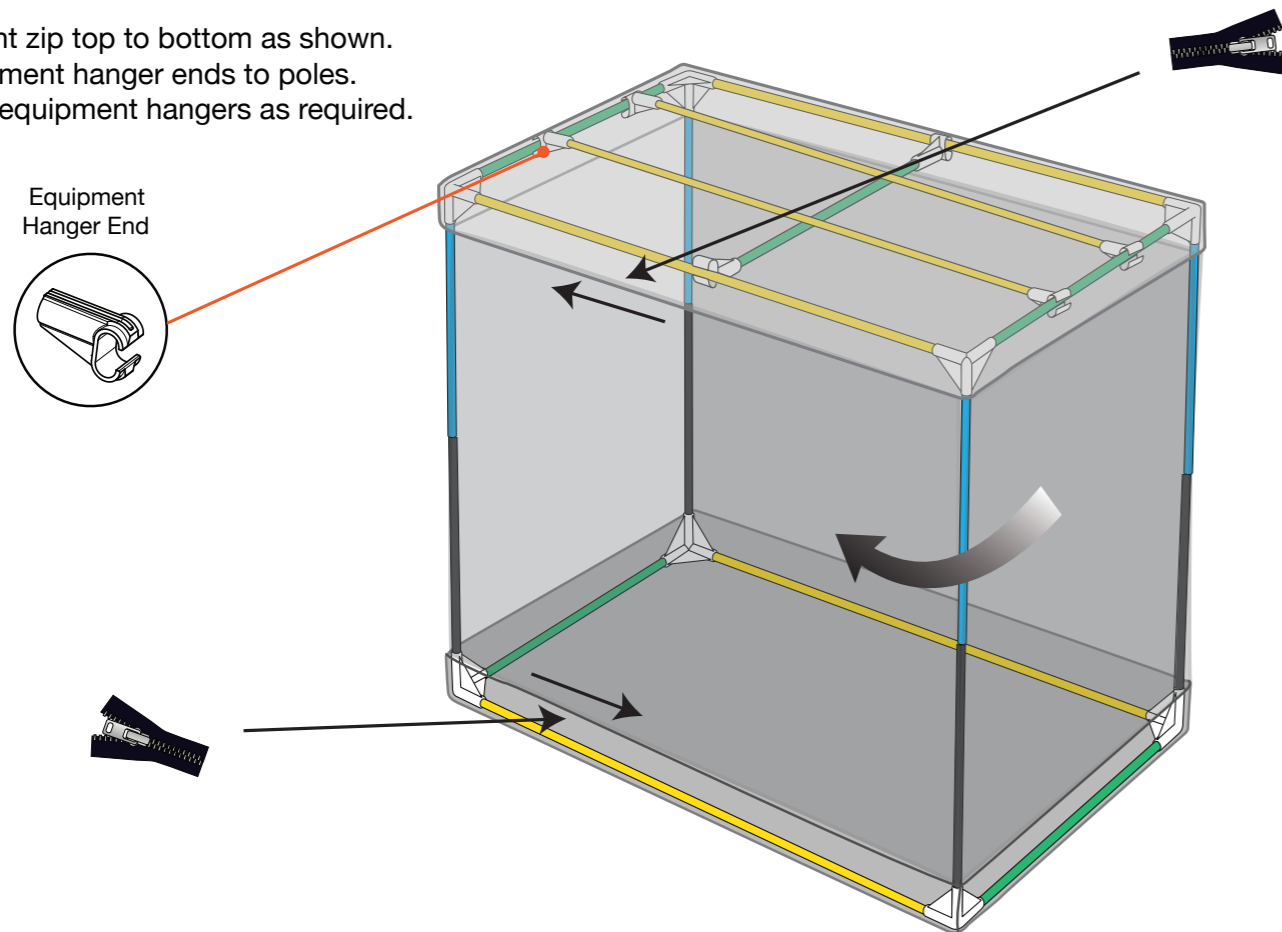
Step 5

Close tent zip starting top right as shown.



Step 6

Close tent zip top to bottom as shown. Fit equipment hanger ends to poles. Position equipment hangers as required.



Assembly Instructions

One Person Assembly



Mammoth Pro+ 120L Assembly Guide

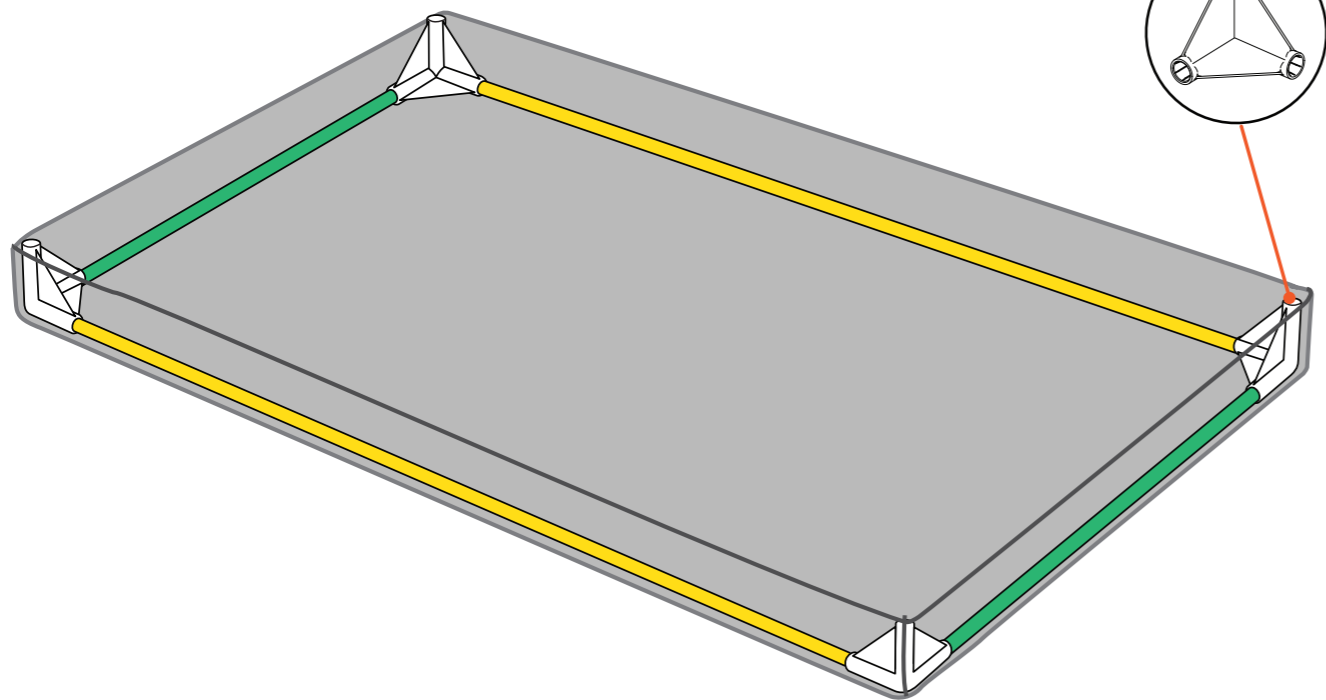


Parts List

- Yellow Pole x6
- Green Pole x5
- Blue Pole x4
- Black Pole x4
- 3-Way Corner x8
- Equipment Hanger Ends x8

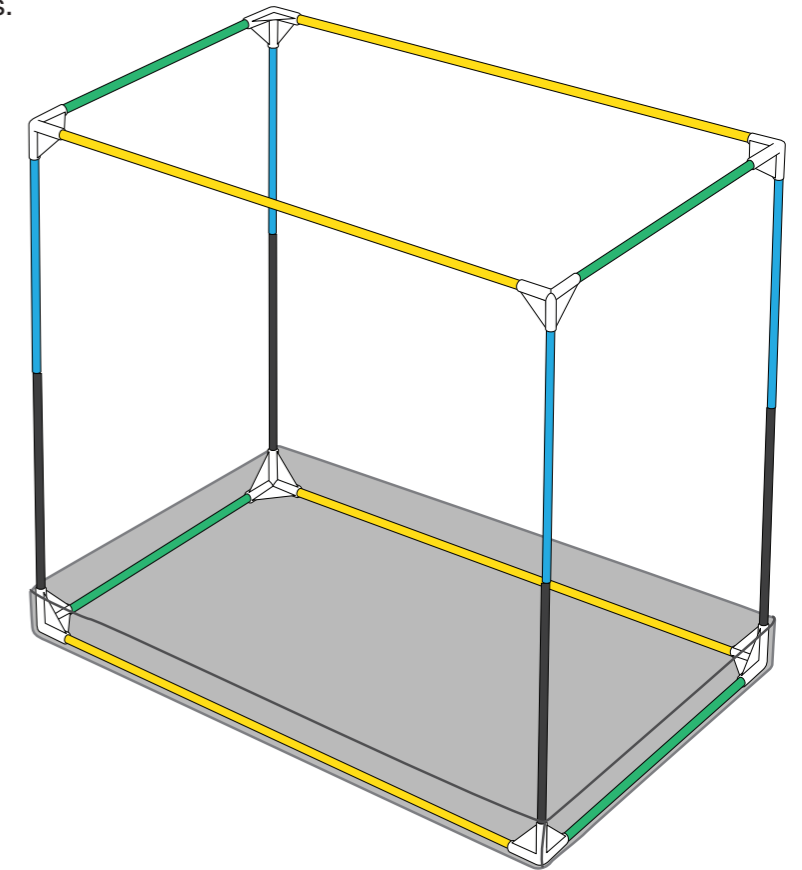
Step 1

Organise poles and connectors into their colours and groups.
Unzip and lay out tent.
Locate floor section and lay flat with edge sections vertical.
Assemble floor poles and 3-way corners.



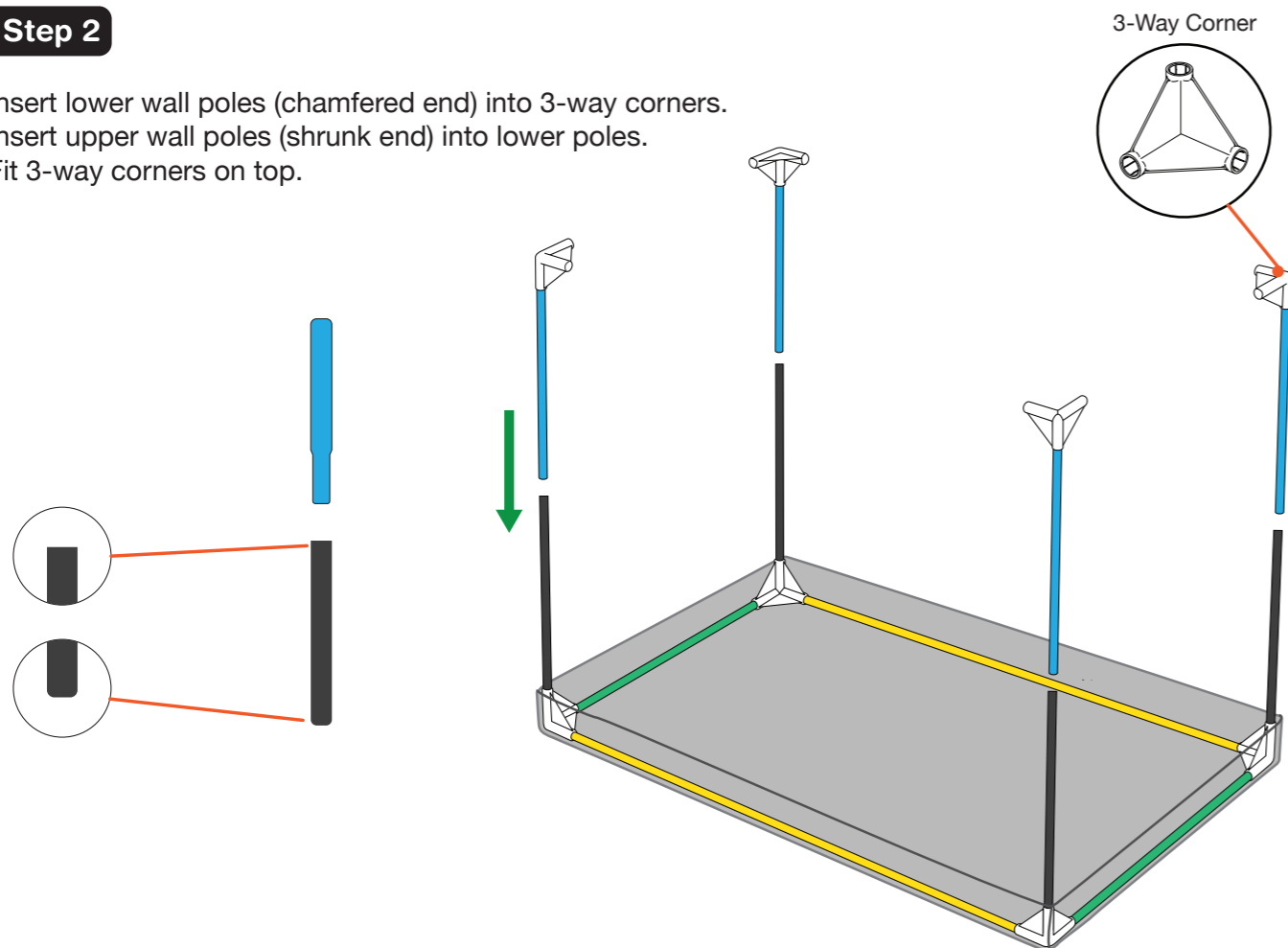
Step 3

Insert ceiling poles into top 3-way corners.



Step 2

Insert lower wall poles (chamfered end) into 3-way corners.
Insert upper wall poles (shrunk end) into lower poles.
Fit 3-way corners on top.



Step 4

Lift tent over roof as shown.

